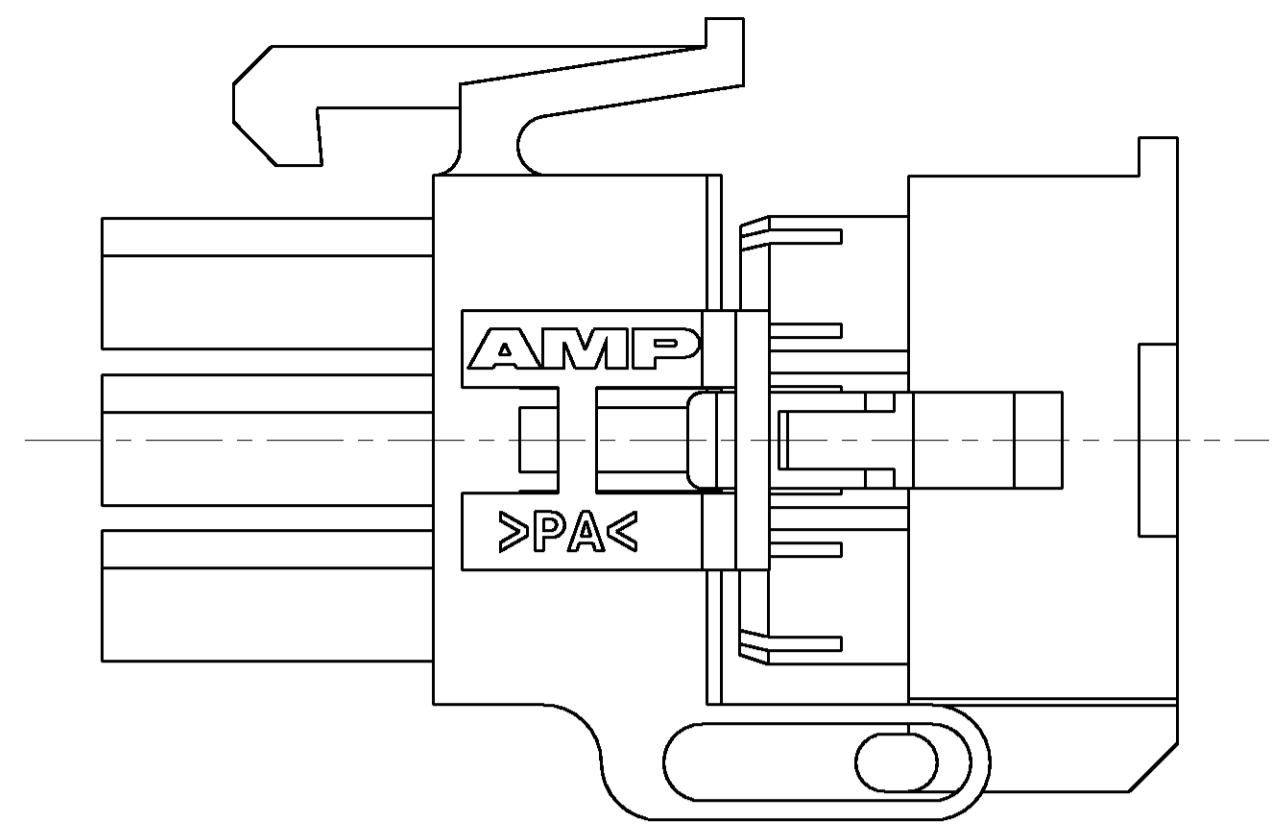
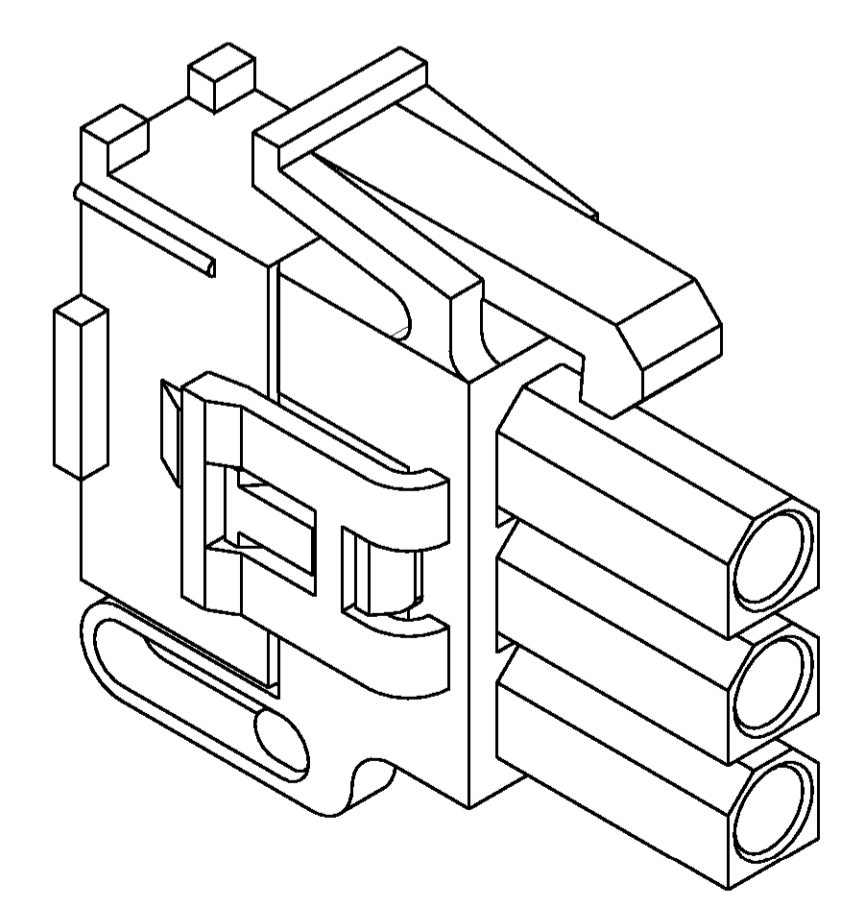
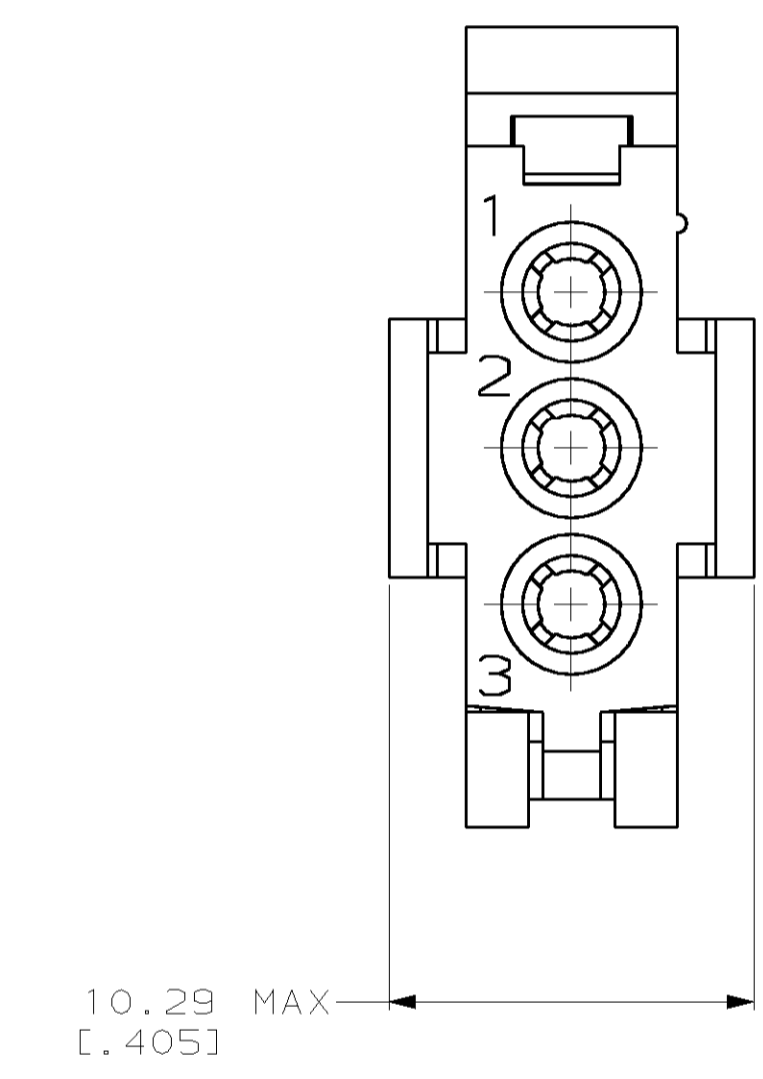
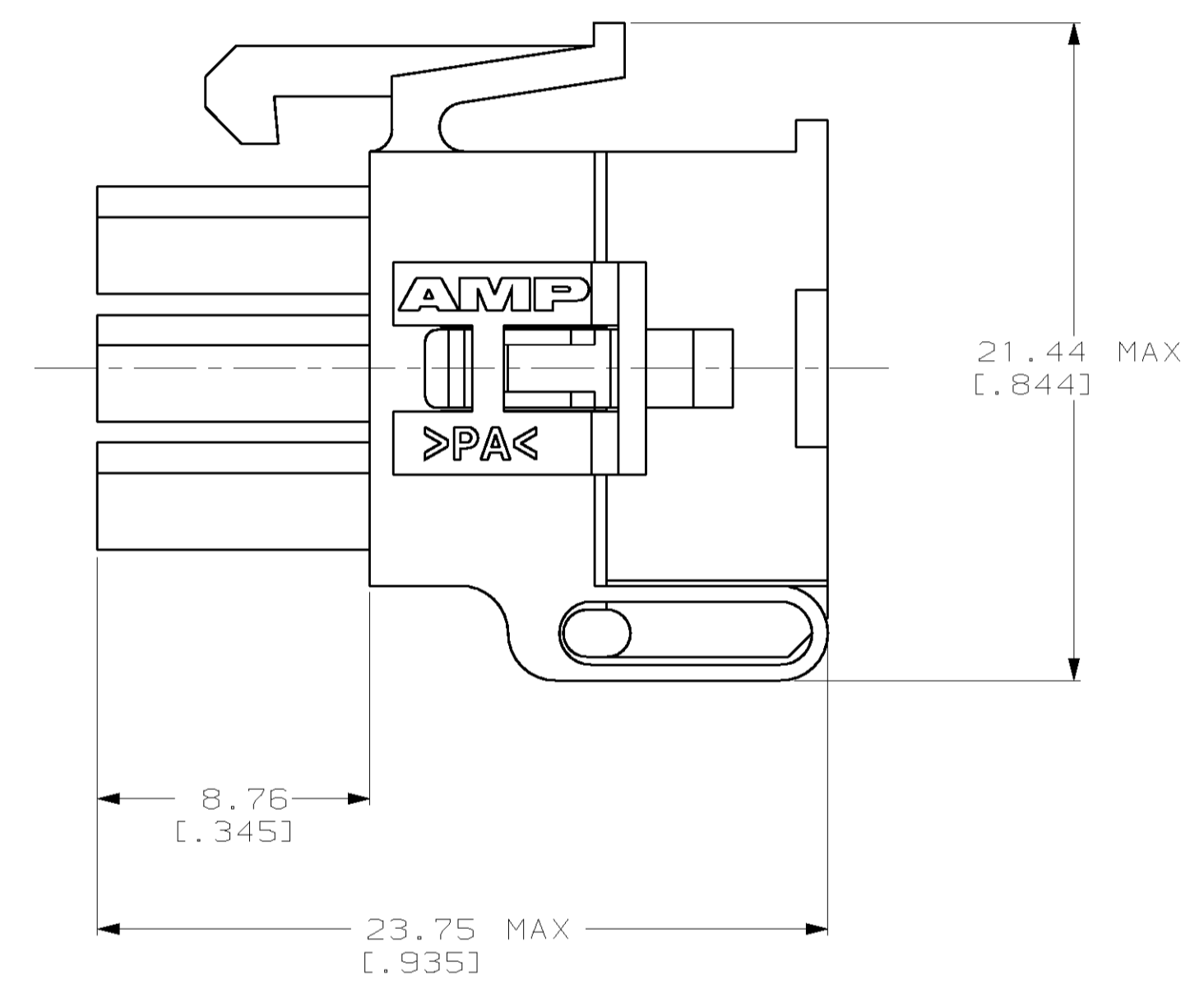
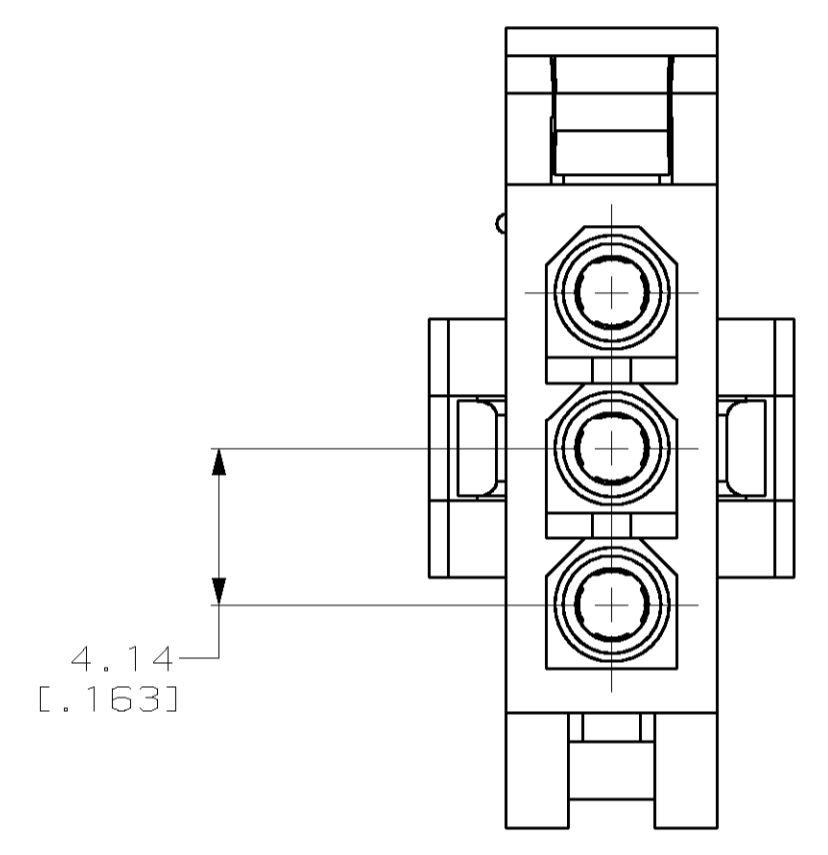


LOC		DIST		REVISIONS				
F	CHR	DATE	OWN	APVD	DESCRIPTION	DATE	OWN	APVD
B		23-SEP-99	KW	KC	REV PER EC 061B-0094-99			



PRE-STAGED CONDITION

1. DIMENSIONS IN BRACKETS ARE IN INCHES.



3-DIMENSIONAL MODEL
NTS

794186-1
PART NUMBER

METRIC

THIS DRAWING IS A CONTROLLED DOCUMENT.		DWN K. WHITAKER	5-09-97	AMP AMP Incorporated Harrisburg, PA 17105-3608
TOLERANCES UNLESS OTHERWISE SPECIFIED:		CHK R. SWING	5-09-97	
DIMENSIONS:	mm	APVD S. ORSTAD	5-09-97	NAME PLUG, 3 CIRCUIT, MINI UNIVERSAL MATE-N-LOK™ 2
	0 PLC ±	PRODUCT SPEC		SIZE CAGE CODE DRAWING NO
	1 PLC ±	APPLICATION SPEC		A1 00779 C-794186
	2 PLC ±0.13 [.005]			RESTRICTED TO
	3 PLC ±			
	4 PLC ±			
	ANGLES ±			
	FINISH -			
MATERIAL NYLON, UL 94V-0, NATURAL		WEIGHT		CUSTOMER DRAWING
		SCALE	5:1	SHEET 1 OF 1
		REV	B	